



TAKUYO LED Underwater Lighting System

Product image



High Power

3000W LW-3000

2000W LW-2000

- High Power 2000W,3000W
- Flexible modulated light
- Powerful stroboscopic emission
- Available for bulb replacement
- Usage of balanced type underwater lighting cable
- Multi-lighting simultaneous control
- Various security function

Feature of product

Basic Performance

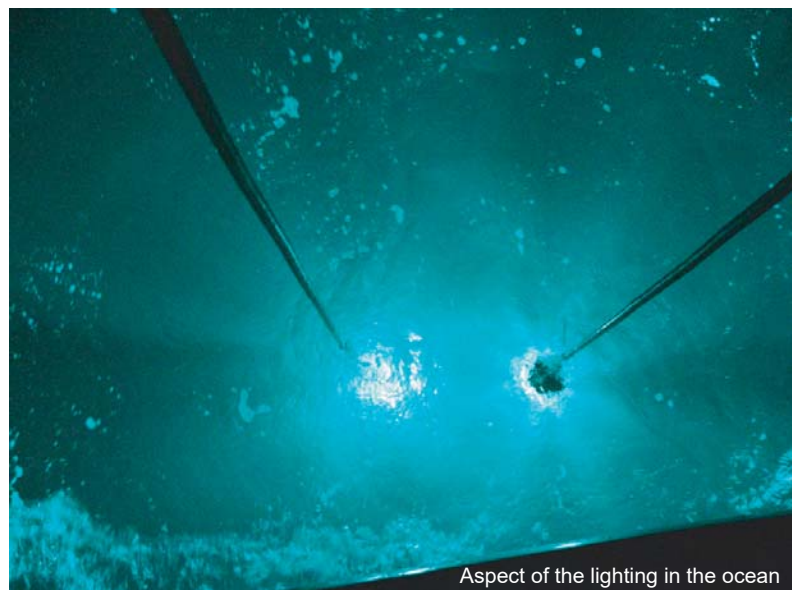
- Configuration of bulb
- Replaceable bulb (existing socket)
- Usage of balanced type underwater lighting cable (Existing article)
- Available for use in existing UL lamp fittings (UL-2,3,5)
- Available for use in existing UL lamp protective guard (C-guard)
- Available for maintenance of lamp parts
- Allowable depth for water resistant 300 meter
- Gravity with lamp fittings installed 10kg
- Available for use in existing teagle for underwater lighting
- Protective function from bulb heating equipped

Operationality

- Dimmer controlable range (0-100%)
- Momentary lighting / extinction
- Available for stroboscopic emission (Synchronized emission / Dimmer control)
- Store & calling up for various setting value
- Available for multi-lighting simultaneous control
- Available for control independently, switchable

We developed LED underwater lighting system with any advantage from our experience and accumulation of technology and know-how that we have been developed various type of halogen and metal halide underwater lighting systems, as a specialized underwater lighting system producer.

LED underwater lighting system is developed in consideration of reliability with existing operating method, mass, size, shape, maintenance, water-proof pressure performance, crashworthy, exoergic structure as the process of using our existing products (lamp fittings and teagle for underwater lighting).



Aspect of the lighting in the ocean

Contact Us

Please feel free to contact us about the detail of underwater lighting system or any questions.



TAKUYO RIKEN CO.,LTD.

<http://www.takuyo-riken.co.jp>

info@takuyo-riken.co.jp

HEAD OFFICE

3-9-11 NANOTSU CHUOH-KU FUKUOKA JAPAN

TEL (092)713-6520 FAX (092)712-2676

YOKOHAMA BRANCH

1-15-1-301 BENTENDORI NAKA-KU YOKOHAMA JAPAN

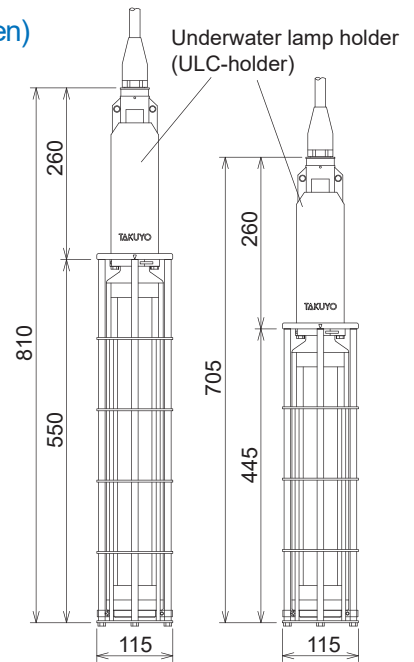
TEL (045)226-2801 FAX (045)663-8948

LED Underwater Light

LW-3000C4(Cyan) LW-3000W4(White) LW-3000G5(Green) 3KW+ULC-3D 2KW+ULC-3C
 LW-2000C4(Cyan) LW-2000W4(White) LW-2000G5(Green)



- Output : 2000W, 3000W
- Allowable depth for water resistant 300 meter
- Gravity with lamp fittings installed 9kg (LW-2000 + ULC-3C)
- Available for balanced type underwater lighting cable (existing article)
- Available for use in existing UL lamp fittings (UL-2,3,5, ULC-3,5)
- Available for use in existing UL lamp fittings (LW-2000;C-guard , LW-3000;D-guard)
- Easy to replace bulb
- Available for maintenance of bulb replacement
- Protective function from bulb heating equipped



LED Electric Power Unit

LWP-3000B3 / LWP-2000B3



- Input power source, Single phase 220V,50/60Hz
- Underwater lighting system for 1 bulb
- Available for underwater lighting with console panel connected
- The same feature and size as ballast produced by Takuyo Riken, Ltd
- Available for multi-bulb simultaneous control by connecting the electric power units.

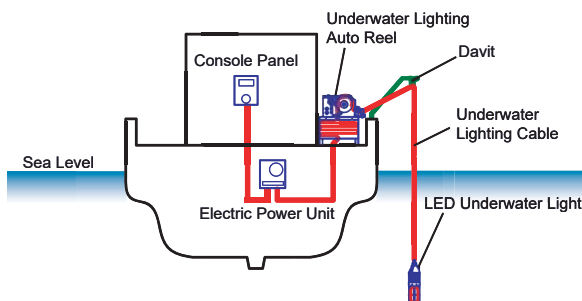
LED Console Panel

LWC-B3



- Dimmer controllable range : 0-100%
- Stroboscopic emission : 0.1-10Hz
- Store & calling up for various setting value
- Various alarm device equipped
- Available for control independently, switchable

System Configuration



- Underwater lighting system is connected with underwater lighting electric power unit through the existing underwater lighting cable (balanced type).
- Console panel established on the bridge is available for control to operate lighting/extinction with underwater lighting of underwater lighting systems.
- Existing auto reel for underwater lighting and davit are available for vertical movement for underwater lighting during work.
- Easy to replace existing halogen and metal halide underwater lighting system with LED underwater lighting system.

Contact Us

Please feel free to contact us about the detail of underwater lighting system or any questions.

 TAKUYO RIKEN CO.,LTD.

<http://www.takuyo-riken.co.jp>
info@takuyo-riken.co.jp

HEAD OFFICE
 3-9-11 NANOTSU CHUOH-KU FUKUOKA JAPAN
 TEL (092)713-6520 FAX (092)712-2676

YOKOHAMA BRANCH
 1-15-1-301 BENTENDORI NAKA-KU YOKOHAMA JAPAN
 TEL (045)226-2801 FAX (045)663-8948